

A2CP18212 8.0-18.0 GHz COUGARPAK™ AMPLIFIER

Typical Values **A2CP18212**
Medium Power Output +15.0 dBm
High Reverse Isolation 35 dB
Ultra Broad Bandwidth 8.0-18.0 GHz
High Performance Thin Film
High Frequency Two-stage CougarPak™ Package

SPECIFICATIONS*

Parameter	Typical	Guaranteed		
		0 to 50° C	-55 to +85° C	
Frequency (Min.)	8.0-18.0 GHz	8.0-18.0 GHz	8.0-18.0 GHz	
Small Signal Gain (Min.)	17.0 dB	16.0 dB	15.0 dB	
Gain Flatness (Max.)	±1.2 dB	±1.5 dB	±1.5 dB	
Noise Figure (Max.)	4.4 dB	5.7 dB	7.3 dB	
SWR (Max.) Input/Output	1.8:1	2.0:1	2.0:1	
Power Output (Min.) @ 1dB comp.	+15.0 dBm	+13.0 dBm	+11.5 dBm	
Reverse Isolation	35 dB	—	—	
DC Current (Max.)	90 mA	95 mA	100 mA	

* Measured in a 50-ohm system at +12 Vdc unless otherwise specified.

INTERMODULATION PERFORMANCE

Typical @ 25° C **A2CP18212**
Second Order Harmonic Intercept Point +45 dBm
Second Order Two Tone Intercept Point +39 dBm
Third Order Two Tone Intercept Point +24 dBm

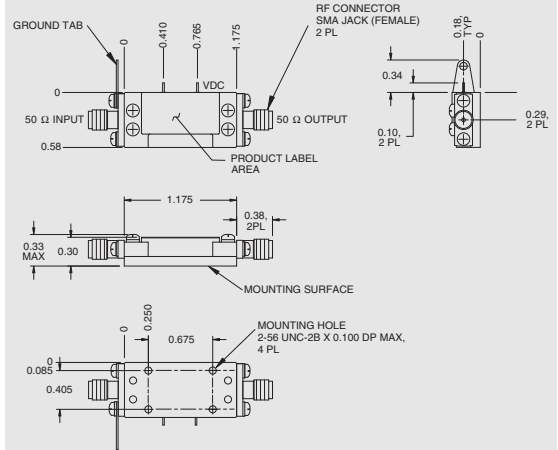
ABSOLUTE MAXIMUM RATINGS

Storage Temperature -62 to +125° C
Maximum Case Temperature +125° C
Maximum DC Voltage +14 Volts
Maximum Continuous RF Input Power +19 dBm
Maximum Short Term Input Power (1 Minute Max.) 100 Milliwatts
Maximum Peak Power (3 μsec Max.) 1.0 Watt
Burn-in Temperature +125° C
Thermal Resistance¹ (θjc) —° C/Watt
Junction Temperature Rise Above Case (Tjc) —° C

¹ Thermal resistance is based on total power dissipation.

A2CP18212

High Frequency CougarPak™ SMA Package (two-stage)



DIMENSIONS ARE IN INCHES